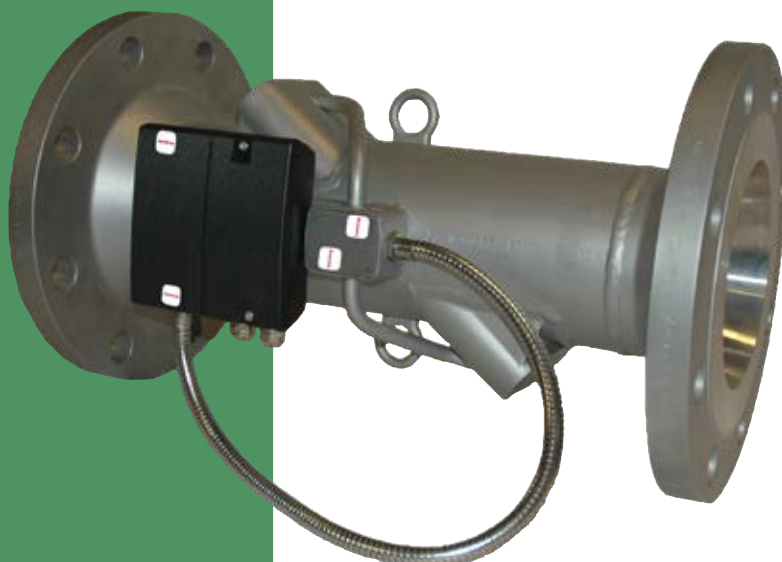


Data sheet

ULTRAFLOW® 54 DN150-300

- For flow from 150 m³/h up to 1000 m³/h
- Ultrasonic flow sensor
- Compact design
- Static meter, no moving parts
- Large dynamic range
- No wear
- High accuracy
- Longevity



MID 2014/32/EU

CE M18 0200

EN 1434

DK-BEK 1178 – 06/11/2014



EN 1434

Contents

Application	2
Approvals	3
Technical data	4
Flow data	5
Materials	6
Type summary	6
Dimensional sketches	7
Pressure loss	8
Installation	9
Straight inlet ULTRAFLOW® 54	10
Operating pressure	10
Connection to calculator	10
Type numbers of ULTRAFLOW® 54 for MULTICAL®	12
Type numbers for separate ULTRAFLOW® 54	12
Type number composition of separate ULTRAFLOW® 54	13
Type numbers of output and supply modules	13
Programming variants of meter factor and pulse duration	14
Accessories	15

Application

ULTRAFLOW® 54 is a static flow sensor based on the ultrasonic measuring principle. It is primarily used as a volume flow sensor for energy meters such as MULTICAL®.

ULTRAFLOW® 54 has been designed for use in heating and cooling installations where water is the heat-bearing medium.

ULTRAFLOW® 54 employs ultrasonic measuring techniques and microprocessor technology. All calculating and flow measuring circuits are collected on one single board, thus providing a compact and rational design and, in addition, exceptionally high measuring accuracy and reliability is obtained.

The volume is measured using bidirectional ultrasonic technique based on the transit time method, with proven long-term stability and accuracy. Four ultrasonic transducers are used to send sound signals both against and with the flow. The ultrasonic signal travelling with the flow reaches the opposite transducer first. The time difference between the two signals can be converted into flow velocity and thereby also volume.

A three-wire signal cable is used to connect ULTRAFLOW® 54 to the Kamstrup MULTICAL® calculator. The cable supplies the flow sensor and also transfers the signal from sensor to calculator. A signal corresponding to the flow – or more correctly, a number of pulses proportional to the water volume flowing through – is transmitted.

ULTRAFLOW® 54 is available with internal supply, e.g. if the distance between MULTICAL® and ULTRAFLOW® 54 is 10 m or more.

If ULTRAFLOW® 54 is used for other equipment [e.g. other brands of calculators], the meter must be fitted with a galvanically separated output module and a supply of its own.

Approvals

Type approval

ULTRAFLOW® 54 is approved as a heat meter in accordance with MID 2014/32/EU:

EC-Type Examination certificate	DK-0200-MI004-008
MID-certificate acc. to module D	DK-0200-MID-D-001



ULTRAFLOW® 54 is approved as a cooling meter in accordance with DK-BEK 1178 – 06/11/2014:

System designation	TS 27.02 002
Verification	DANAK accreditation 268



Please contact Kamstrup A/S for further information relating to type approval and verification.

Standard

EN 1434:2015

CE-marking

ULTRAFLOW® 54 is marked in accordance with:

– EMC-directive	2014/30/EU
– LV-directive	2014/35/EU (when fitted with 230 VAC power supply)
– PE-directive	2014/68/EU (category II)

MID designation

– Mechanical environment	Class M1 and M2
– Electromagnetic environment	Class E1 and E2
– Ambient temperature	5...55 °C, closed location (indoor installation)

Technical data

Electrical data

Supply voltage	3.6 VDC ± 0.1 VDC
Supply, galvanically coupled output module (Y=1)	Powered by MULTICAL®
Supply, galvanically separated output module (Y=2) *	
- Mains supply	230 VAC +15/-30 %, 50 Hz 24 VAC ±50 %, 50 Hz
- Power consumption	< 1 W
- Backup	Integral SuperCap eliminates interruptions due to short-term power failures
Supply, galvanically separated output module (Y=3)	
- Battery	3.65 VDC, D-cell lithium
- Replacement interval	6-years @ $t_{BAT} < 30\text{ °C}$
- Mains supply	230 VAC +15/-30 %, 50 Hz 24 VAC ±50 %, 50 Hz
- Power consumption	< 1 W
- Backup	Integral SuperCap eliminates interruptions due to short-term power failures
Length of signal cable, flow sensor electronics box	
- Galvanically coupled output module (Y=1)	Max. 10 m (powered by MULTICAL® calculator) Max. 30 m via Cable Extender Box (powered by MULTICAL® calculator)
- Galvanically separated output module (Y=2 and Y=3)	Depending on the calculator.
EMC data	Fulfils EN 1434:2015 class C, MID E1 and E2

* It is possible to use battery supply in combination with output module (Y=2), e.g. for temporary supply of flow sensors installed at construction sites.

Technical data

Mechanical data

Metrological class	2 or 3
Environmental class	Fulfils EN 1434 class C
Ambient temperature	5...55 °C (indoors)
Protection class	IP67
Humidity	< 93 % RH non-condensing
Medium in flow sensor	Water (recommended water quality as in CEN TR 16911 and AGFW FW510)
Medium temperature	2...150 °C (Heat and heat/cooling meters) 2...130 °C (Heat/cooling meters) 2...50 °C (Cooling meters)
Storage temperature (empty sensor)	-25...60 °C
Pressure stage	PN16, PS16 PN25, PS25

At medium temperatures above 90 °C or below ambient temperature the electronics box must be wall-mounted or mounted via the enclosed distance piece.

Flow data

Nom. flow q_p	Nom. diameter	Meter factor *	Dynamic range	$q_s : q_p$	Flow @125 Hz **	$\Delta p @ q_p$	Min. cut off
[m ³ /h]	[mm]	[imp./l]	$q_p : q_i$		[m ³ /h]	[bar]	[l/h]
150	DN150	1	100:1	2:1	450	0.02	300
250	DN150	0.6	100:1	2:1	750	0.055	500
400	DN150	0.4	100:1	2:1	1125	0.04	800
400	DN200	0.4	100:1	2:1	1125	0.01	800
400	DN250	0.4	100:1	2:1	1125	0.01	800
600	DN200	0.25	100:1	2:1	1800	0.022	1200
600	DN250	0.25	100:1	2:1	1800	0.022	1200
1000	DN250	0.15	100:1	2:1	3000	0.015	2000
1000	DN300	0.15	100:1	2:1	3000	0.015	2000

* Default value. The meter factor appears from the ULTRAFLOW® label.

** Saturation flow. Max. pulse frequency is maintained at higher flow rates.

Materials

Wetted parts

Housing	Stainless steel, W.no. 1.4307
Transducer holder	Stainless steel, W.no. 1.4308
Transducer	Titanium
Gaskets	Fibre

Electronics box

Base	Thermoplastic, PC 10 % GF
Cover	Thermoplastic, PC 10 % GF
Fitting hardware and distance piece for the electronic box	Thermoplastic, PPS 40 % GF

Signal cable

Silicone cable (3 x 0.5 mm²)

Power supply cable 24/230 VAC (optional)

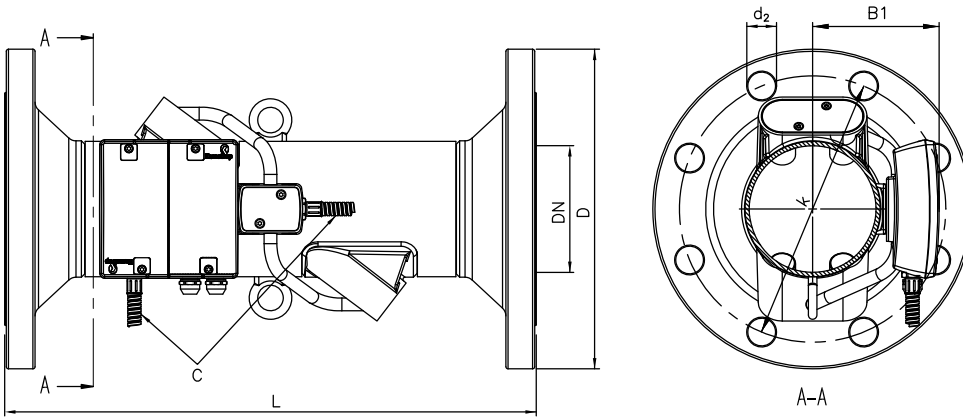
Cable with PVC mantle (2 x 0.75 mm²)

Type summary

Nom. flow q_p [m ³ /h]	Sizes		
	150	DN150 x 500 mm	
250	DN150 x 500 mm		
400	DN150 x 500 mm	DN200 x 500 mm	DN250 x 600 mm
600	DN200 x 500 mm	DN250 x 600 mm	
1000	DN250 x 600 mm	DN300 x 500 mm	

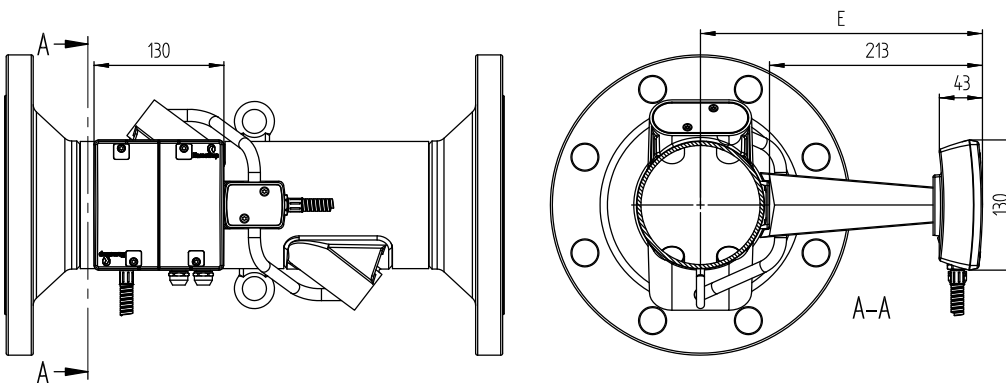
Flange EN 1092-1. Flange facing type B, raised face.

Dimensional sketches



Flange EN 1092-1. Flange facing type B, raised face.

Nom. diameter [mm]	PN [bar]	Nom. flow q_p [m ³ /h]	L [mm]	D [mm]	k [mm]	Bolts			B1 [mm]	E [mm]	Steel tube length C [mm]	Approx. weight [kg]
						Quantity	Thread [mm]	d_2 [mm]				
DN150	25	150 & 250	500	300	250	8	M24	26	119	282	650	37
DN150	25	400	500	300	250	8	M24	26	140	303	625	36
DN200	25	400 & 600	500	360	310	12	M24	26	166	329	570	49
DN250	25	400 & 600	600	425	370	12	M27	30	166	329	570	79
DN250	25	1000	600	425	370	12	M27	30	194	357	500	75
DN300	16	1000	500	460	410	12	M24	26	194	357	500	76

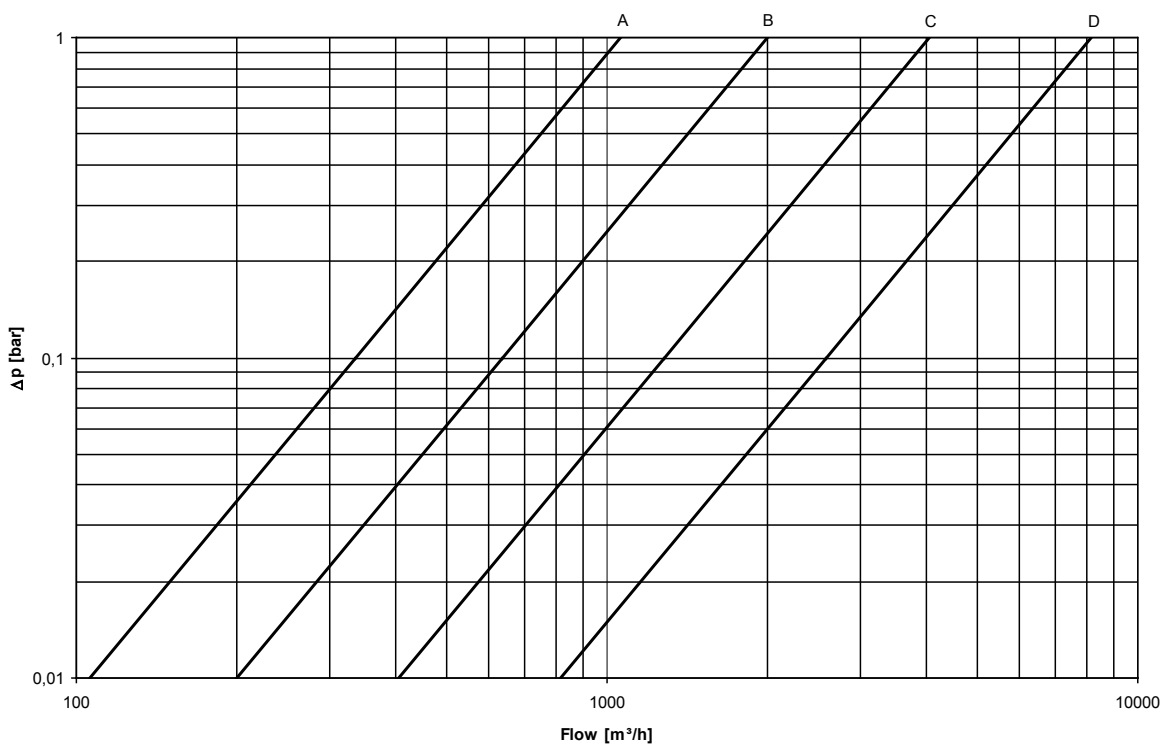


Pressure loss

Graph	Nominal flow q_p [m ³ /h]	Nominal diameter [mm]	k_v^*	$q@0.25$ bar [m ³ /h]
A	150 & 250	DN150	1060	530
B	400	DN150	2000	1000
C	400 & 600	DN200 & DN250	4040	2020
D	1000	DN250 & DN300	8160	4080

* $q = k_v \times \sqrt{\Delta p}$

Δp ULTRAFLOW® 54 DN150-300



Installation

Prior to installation of the flow sensor, the system should be flushed.

Correct flow sensor position (inlet or outlet) appears from the front label of MULTICAL®. The flow direction is indicated by an arrow on the flow sensor.

Please note: ULTRAFLOW® 54 may be lifted in the lifting rings only.

Pressure stage ULTRAFLOW® 54: PN16, PS16/PN25, PS25. See marking on label.

Temperature of medium, ULTRAFLOW® 54: 2...150 °C/ 2...130 °C/2...50 °C. See marking on label.

Mechanical environment: M1 and M2 (fixed installation with minimum vibration and fixed installation with considerable or high vibration level respectively). See marking on label.

Electromagnetic environment: E1 and E2 (housing/light industry and industry respectively). See marking on label.

The meter's signal cables must be drawn at min. 25 cm distance to other installations.

Climatic environment: Must be installed in environments with non-condensing humidity as well as in closed locations (indoors).

The ambient temperature must be within 5...55 °C.

Maintenance and repair: The flow sensor is verified separately and can, therefore, be separated from the calculator.

It is permitted to replace the supply and change the supply type. For battery supply a lithium battery with connector from Kamstrup A/S must be used. Lithium batteries must be correctly handled and disposed of (see Kamstrup document 5510-408, "Lithium batteries - Handling and disposal"). Other repairs require subsequent reverification in an accredited laboratory.

If ULTRAFLOW® 54 is connected via a galvanically coupled output module, the flow sensor may be connected to a Kamstrup MULTICAL® calculator only.

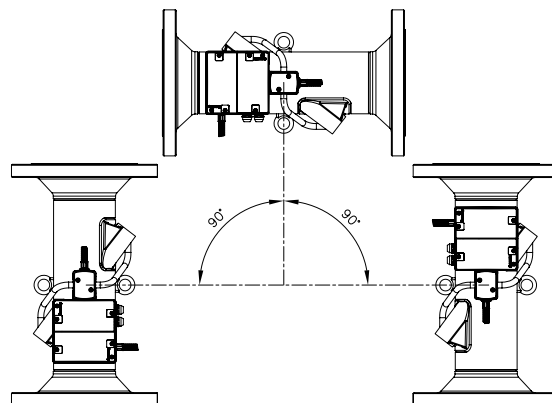
If other calculator types are connected, ULTRAFLOW® 54 must be fitted with a galvanically separated output module and a power supply of its own.

Please note: Make sure that meter factor of flow sensor and calculator are identical.

The steel tube between flow sensor housing and electronics box must not be disassembled.

At medium temperatures above 90 °C or below ambient temperature the flow sensor's electronics box must be mounted via the enclosed distance piece. Alternatively, the electronics box can be wall-mounted at a distance of minimum 170 mm from the sensor.

When the installation has been completed, water flow can be turned on. The valve on the inlet side must be opened first.



Installation angle of ULTRAFLOW® 54

ULTRAFLOW® 54 can be installed horizontally, vertically, or at an angle.

ULTRAFLOW® 54 is normally installed horizontally, with the lifting rings oriented vertically. The ultrasound paths in the flow sensor tube will thus be vertical, which is optimal in connection with possible stratification of the medium.

Straight inlet ULTRAFLOW® 54

ULTRAFLOW® 54 requires neither straight inlet nor outlet in order to fulfil the Measuring Instruments Directive (MID) 2014/32/EU and EN 1434:2015. Only in case of heavy flow disturbances before the meter will a straight inlet section be necessary.

We recommend following the guidelines in CEN CR 13582.

Operating pressure

In order to prevent cavitation, the back pressure at ULTRAFLOW® 54 (the pressure at the flow sensor outlet) must be min. 1.5 bar at q_p and min. 2.5 bar at q_s . This applies to temperatures up to approx. 80 °C.

Connection to calculator


ULTRAFLOW® 54 and MULTICAL®, galvanically coupled

If ULTRAFLOW® 54 and MULTICAL® are connected via output module (Y=1), ULTRAFLOW® 54 is galvanically coupled with MULTICAL® and is powered via the three-wire signal cable (cable length up to 10 m).

If ULTRAFLOW® must be connected to MULTICAL® with a cable length between 10 m and 30 m and galvanic separation is not necessary, a Cable Extender Box can be utilized. See document no. 5512-2008 (DK-GB-DE-RO) for further information.

Battery life time in e.g. MULTICAL® 602 is approximately 10 years depending on data communication to the calculator.

Note: It is not permitted to mount a supply module or battery in ULTRAFLOW® 54.

ULTRAFLOW® 54	→	MULTICAL®		
11	→	11	GND	[Blue]
9	→	9	+ 3.6 V	[Red]
10	→	10		[Yellow]

Connection to calculator

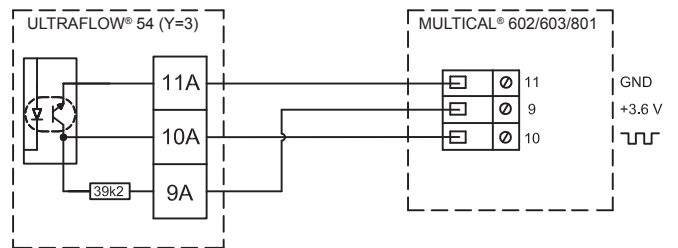
ULTRAFLOW® 54 and MULTICAL®, galvanically separated

If ULTRAFLOW® 54 and MULTICAL® are connected via output module (Y=2 or 3), ULTRAFLOW® 54 is galvanically separated from MULTICAL®.

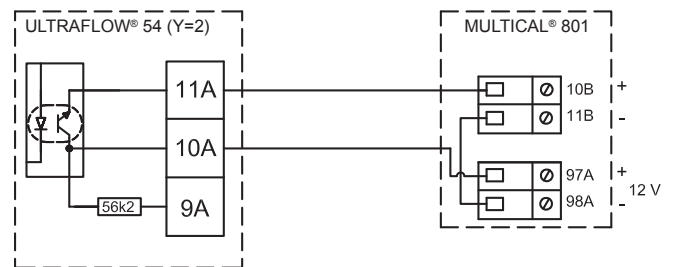
Maximum cable length depends on calculator.

Note: Flow info cannot be read.

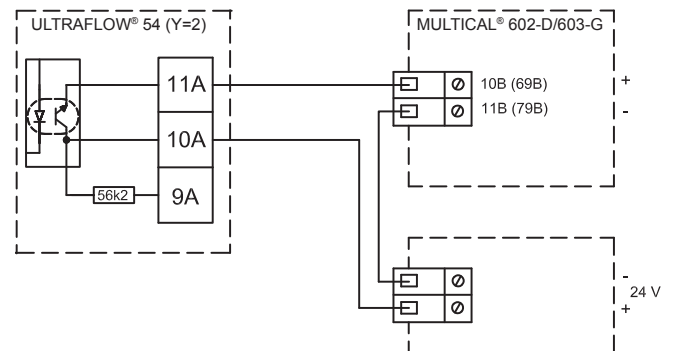
Three-wire connection,
MULTICAL® 602/603/801 via output module (Y=2 or 3).



Two-wire connection,
MULTICAL® 801 via output module (Y=2).



Two-wire connection,
MULTICAL® 602-D/603-G via output module (Y=2)
and external 24 VDC supply.



When using long signal cables, careful consideration is required in connection with installation. Due to EMC there must be a distance of min. 25 cm between signal cables and all other cables.

Type numbers of ULTRAFLOW® 54 for MULTICAL®

Type number *	Nom. flow q_p [m ³ /h]	Min. flow q_i [m ³ /h]	Max. flow q_s [m ³ /h]	Connection [mm]	PN [bar]	Length [mm]	Meter factor [imp./l]	Material flow sensor housing
65-5-FCCN-XXX	150	1.5	300	DN150	25	500	1	Stainless steel
65-5-FDCN-XXX	250	2.5	500	DN150	25	500	0.6	Stainless steel
65-5-FECN-XXX	400	4.0	800	DN150	25	500	0.4	Stainless steel
65-5-FECP-XXX	400	4.0	800	DN200	25	500	0.4	Stainless steel
65-5-FECP-XXX	400	4.0	800	DN250	25	600	0.4	Stainless steel
65-5-FFCP-XXX	600	6.0	1200	DN200	25	500	0.25	Stainless steel
65-5-FFCR-XXX	600	6.0	1200	DN250	25	600	0.25	Stainless steel
65-5-FGCR-XXX	1000	10.0	2000	DN250	25	600	0.15	Stainless steel
65-5-FGDS-XXX	1000	10.0	2000	DN300	16	500	0.15	Stainless steel

* XXX-code pertaining to final assembly, approvals etc. – determined by Kamstrup A/S. Some variants may not be available in national approvals.

Type numbers for separate ULTRAFLOW® 54

Type number *	Nom. flow q_p [m ³ /h]	Min. flow q_i [m ³ /h]	Max. flow q_s [m ³ /h]	Connection [mm]	PN [bar]	Length [mm]	Material flow sensor housing
65-5-FCCN-YZ-XXX	150	1.5	300	DN150	25	500	Stainless steel
65-5-FDCN-YZ-XXX	250	2.5	500	DN150	25	500	Stainless steel
65-5-FECN-YZ-XXX	400	4.0	800	DN150	25	500	Stainless steel
65-5-FECP-YZ-XXX	400	4.0	800	DN200	25	500	Stainless steel
65-5-FECP-YZ-XXX	400	4.0	800	DN250	25	600	Stainless steel
65-5-FFCP-YZ-XXX	600	6.0	1200	DN200	25	500	Stainless steel
65-5-FFCR-YZ-XXX	600	6.0	1200	DN250	25	600	Stainless steel
65-5-FGCR-YZ-XXX	1000	10.0	2000	DN250	25	600	Stainless steel
65-5-FGDS-YZ-XXX	1000	10.0	2000	DN300	16	500	Stainless steel

* XXX-code pertaining to final assembly, approvals etc. – determined by Kamstrup A/S. Some variants may not be available in national approvals.

Type number composition of separate ULTRAFLOW® 54

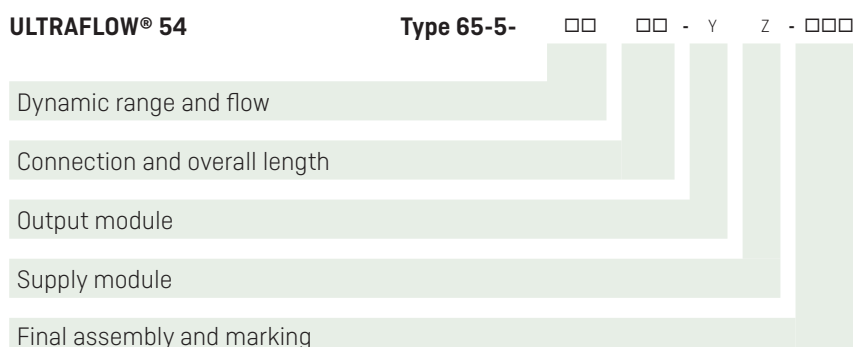
In addition to the basic variants output module (Y), supply module (Z) as well as meter factor (CC) and pulse duration (E) must be selected.

The variant with galvanically coupled output module (Y=1) is solely for use together with MULTICAL®.

The variant with galvanically separated output module (Y=2 or 3) is used in the following situations:

- A More than 10 m cable length between MULTICAL® and ULTRAFLOW® 54 is required (Y=2).
- B As flow sensor no. 2 in connection with MULTICAL®.
If two flow sensors are used together with MULTICAL®, one must include a galvanically separated output module (Y=2 or 3).
- C Together with other equipment/foreign calculators (Y=2 or 3).

Please note: Flow info cannot be read if output module with galvanic separation is used.



Type numbers of output and supply modules

Type number overview of output modules (Y) as well as supply modules (Z) for separate ULTRAFLOW® 54

Y	Output module	Corresponding supply module
1	Galvanically coupled module	0 (powered by MULTICAL®)
2	Galvanically separated module	0, 7, 8
3	Galvanically separated module, "Low power"	0, 2, 7, 8
Z	Supply module	Corresponding output module
0	No supply	1, 2, 3
2	Battery, D-cell	3
7	230 VAC supply module	2, 3
8	24 VAC supply module	2, 3

Programming variants of meter factor and pulse duration

Overview of programming variants of meter factor (CC) and pulse durations (E) for separate ULTRAFLOW® 54.

q_p [m ³ /h]	Meter factor			Pulse duration				
	[imp./l]	[l/imp.]	CC	[ms] (E=1)	[ms] (E=4)	[ms] (E=5)	[ms] (E=6)	
150	1		33	3.9	-	-	-	Default
150		10	34	-	20	-	-	
150		25	64	-	20	-	-	
150		100	35	-	20	50	100	
150		250	65	-	20	50	100	
150		1000	36	-	20	50	100	
150		2500	66	-	20	50	100	
250	0.6		43	3.9	-	-	-	Default
250		10	34	-	20	-	-	
250		25	64	-	20	-	-	
250		100	35	-	20	50	100	
250		250	65	-	20	50	100	
250		1000	36	-	20	50	100	
250		2500	66	-	20	50	100	
400	0.4		63	3.9	-	-	-	Default
400		100	35	-	20	50	-	
400		250	65	-	20	50	100	
400		1000	36	-	20	50	100	
400		2500	66	-	20	50	100	
600	0.25		14	3.9	-	-	-	Default
600		100	35	-	20	50	-	
600		250	65	-	20	50	-	
600		1000	36	-	20	50	100	
600		2500	66	-	20	50	100	
1000	0.15		24	3.9	-	-	-	Default
1000	[0.25]	4	14	3.9	-	-	-	*)
1000		100	35	-	20	50	-	
1000		250	65	-	20	50	-	
1000		1000	36	-	20	50	100	
1000		2500	66	-	20	50	100	

* Spare part for ULTRAFLOW® type 65-S/R/T q_p 1000. Configured 65-5-FGCR. No flow info.

Accessories

Description	Type number
Flange gaskets	
DN150, PN25 (1 pc.)	1150-140
DN200, PN25 (1 pc.)	1150-139
DN250, PN25 (1 pc.)	1150-141
DN300, PN16 (1 pc.)	1150-164
Supply	
D-cell lithium battery with two-pole connector	65000000-2000
230 VAC supply module	65000000-7000
24 VAC supply module	65000000-8000
Miscellaneous	
Short distance piece	6561-332
Cable Extender Box	6699-036

Cables

ULTRAFLOW® 54 DN150-300, when ordered with MULTICAL®, is delivered with 2.5 m signal cable, optionally 5 or 10 m. The cable is mounted in the ULTRAFLOW® 54 electronics box and in MULTICAL® 6xx.

When ULTRAFLOW® 54 is ordered with MULTICAL® 8xx, the calculator is delivered separately. Hence the cable is only mounted in the ULTRAFLOW® 54 electronics box.

ULTRAFLOW® 54 DN150-300, when ordered as a separate flow sensor, is optionally available with signal cable in lengths of 2.5, 5 or 10 m.

The cable is mounted in the ULTRAFLOW® 54 electronics box.

If 24/230 VAC supply module is selected, the sensor is optionally available with power cable. The cable is mounted in the sensor's electronics box from the factory.

ULTRAFLOW® 54 DN150-300

Kamstrup A/S • 5810835_L1_6B_01.2018

Kamstrup A/S

Industrivej 28, Stilling
DK-8660 Skanderborg
T: +45 89 93 10 00
F: +45 89 93 10 01
info@kamstrup.com
kamstrup.com